

OPzS

Vented lead-acid battery



Motive Power Systems

Reserve Power Systems

Special Power Systems

Service

Your benefits with HOPPECKE OPzS

- **Very high expected service life** - due to optimized low-antimony selenium alloy
- **Excellent cycle stability** - due to tubular plate design
- **Maximum compatibility** - design according to DIN 40736-1
- **Higher short-circuit safety even during the installation** - based on HOPPECKE system connectors
- **Extremely extended water refill intervals up to maintenance-free** - optional use of AquaGen® recombination system minimizes emission of gas and aerosols¹

Typical applications of HOPPECKE OPzS

- **Telecommunications**
 - Mobile phone stations
 - BTS-stations
 - Off-grid/on-grid solutions
- **Power Supply**
- **Security lighting**



Similar to the illustration, AquaGen® optional



HOPPECKE

POWER FROM INNOVATION

Type Overview

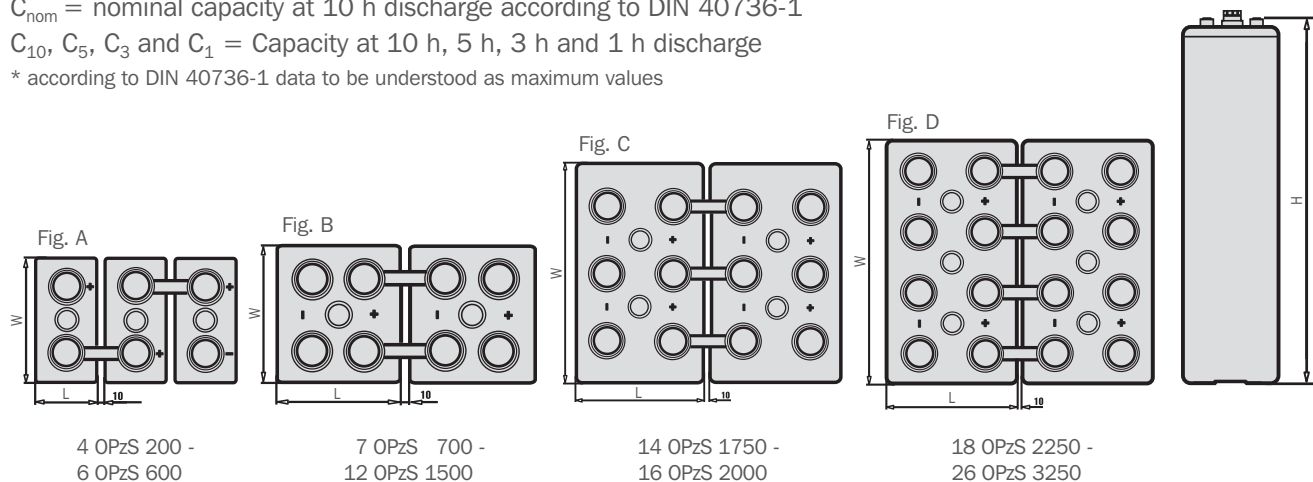
Capacities, dimensions and weights

Type	C _{nom} /1.80 V Ah	C ₁₀ /1.80 V Ah	C ₅ /1.77 V Ah	C ₃ /1.75 V Ah	C ₁ /1.67 V Ah	max.* Weight kg	Weight electrolyte kg (1.24 kg/l)	max.* Length L mm	max.* Width W mm	max.* Height H mm	Fig.
4 OPzS 200	200	213	182	161	118	17.3	4.5	105	208	420	A
5 OPzS 250	250	266	227	201	147	21.0	5.6	126	208	420	A
6 OPzS 300	300	320	273	241	177	24.9	6.7	147	208	420	A
5 OPzS 350	350	390	345	303	217	29.3	8.5	126	208	535	A
6 OPzS 420	420	468	414	363	261	34.4	10.1	147	208	535	A
7 OPzS 490	490	546	483	426	304	39.5	11.7	168	208	535	A
6 OPzS 600	600	686	590	510	353	46.1	13.3	147	208	710	A
7 OPzS 700	700	801	691	596	411	59.1	16.7	215	193	710	B
8 OPzS 800	800	915	790	681	470	63.1	17.3	215	193	710	B
9 OPzS 900	900	1026	887	767	529	72.4	20.5	215	235	710	B
10 OPzS 1000	1000	1140	985	852	588	76.4	21.1	215	235	710	B
11 OPzS 1100	1100	1256	1086	938	647	86.6	25.2	215	277	710	B
12 OPzS 1200	1200	1370	1185	1023	706	90.6	25.8	215	277	710	B
12 OPzS 1500	1500	1610	1400	1197	784	110.4	32.7	215	277	855	B
14 OPzS 1750	1750	1881	1632	1397	914	142.3	46.2	215	400	815	C
15 OPzS 1875	1875	2016	1748	1496	980	146.6	46.7	215	400	815	C
16 OPzS 2000	2000	2150	1865	1596	1045	150.9	45.9	215	400	815	C
18 OPzS 2250	2250	2412	2097	1796	1176	179.1	56.4	215	490	815	D
19 OPzS 2375	2375	2546	2213	1895	1242	182.9	55.6	215	490	815	D
20 OPzS 2500	2500	2680	2330	1995	1307	187.3	55.7	215	490	815	D
22 OPzS 2750	2750	2952	2562	2195	1437	212.5	67.0	215	580	815	D
23 OPzS 2875	2875	3086	2678	2294	1503	216.8	65.9	215	580	815	D
24 OPzS 3000	3000	3220	2795	2394	1568	221.2	66.4	215	580	815	D
26 OPzS 3250	3250	3488	3028	2594	1699	229.6	65.4	215	580	815	D

C_{nom} = nominal capacity at 10 h discharge according to DIN 40736-1

C₁₀, C₅, C₃ and C₁ = Capacity at 10 h, 5 h, 3 h and 1 h discharge

* according to DIN 40736-1 data to be understood as maximum values



Design life: up to 20 years

Optimal environmental compatibility - closed loop for recovery of materials in an accredited recycling system

¹ Similar to sealed lead-acid batteries